

# Lubrication Kit and Grease Gun

cpc Lubrication Unit is a supply nozzle with 3 different sizes of nozzle adaptors. These nozzle adaptors are suitable for different size of grease nipple on different size of linear blocks.

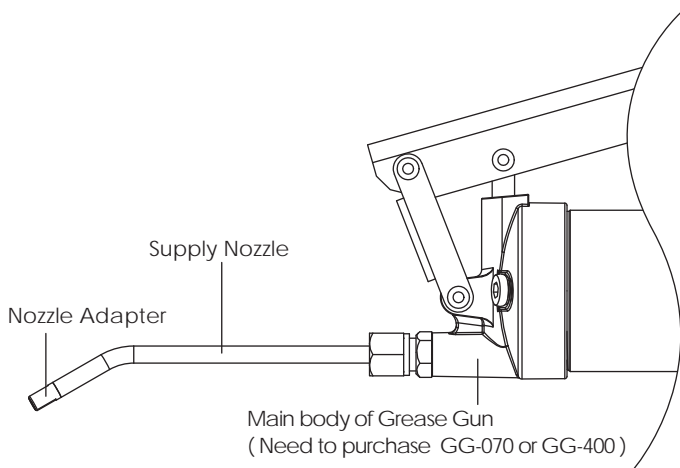


## Nipple Option

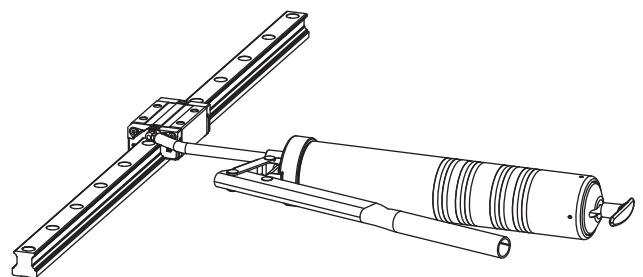
Type			Nipple Size		Nipple Type
			Section	Side	Standard
ARC15	HRC15	-	M3	M3	A-M3
ARC20	HRC20	-	M3	M3	B-M3
ARC25	HRC25	ERC25	M6	M3	B-M6
ARC30	HRC30	-	M6	M6	B-M6
ARC35	HRC35	-	M6	M6	B-M6
ARC45	HRC45	-	PT1/8	M6	B-PT1/8
ARC55	HRC55	-	PT1/8	M6	B-PT1/8

## GP-PT1/8-01 Lubrication Kit

The Lubrication Kit is with a supply nozzle (GT-1/8-M5) and three kinds of different nozzle adaptors (GH-M5-MR, GH-M5-06, GH-M5-08). The supply nozzle can be mounted on the main body of common manual or pneumatic grease gun with PT1/8 tapped connector available on the market.



## Greasing Diagram

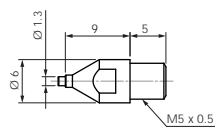
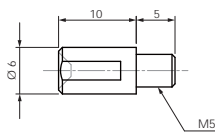
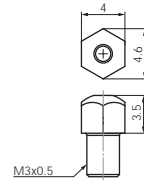
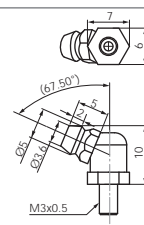
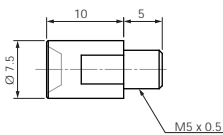
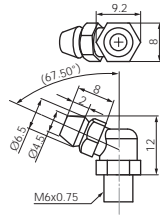
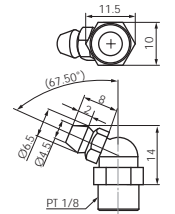


## Supply Nozzle

Type	Dimension
GT-PT1/8-M5	

# Nozzle Adapter

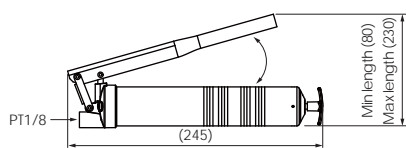
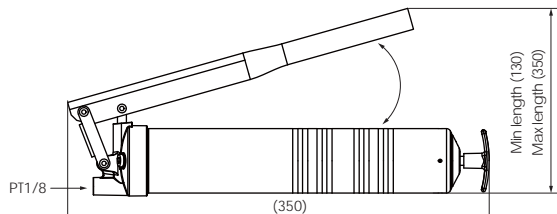
Unit: mm

Type	Dimension	Grease Nipple	
GH-M5-MR		MR series Minature linear guide size MR-15M \ MR-15W MR-12M \ MR-12W	
GH-M5-06		A-M3 A-M3X	
		B-M3 B-M3X	
GH-M5-08		B-M6 B-M6X	 JIS B 1517 DIN 71 412 ISO 6392-1 ISO 7824
		B-PT1/8 B-PT1/8X	 JIS B 1517 DIN 71 412 ISO 6392-1 ISO 7824

## Main body of Grease Gun

Option for Main body of Grease Gun: GG-070 for 70g volume grease pack and GG-400 for 400g volume grease pack.

Unit: mm

Type	Dimension	Feature
GG-070		<ol style="list-style-type: none"> <li>1. Pressure: 27Mpa</li> <li>2. Output Volume: 0.5-0.7 c.c/stroke</li> <li>3. Grease: Suitable for 70g volume grease pack or bulk loading</li> </ol>
GG-400		<ol style="list-style-type: none"> <li>1. Pressure: 62Mpa</li> <li>2. Output Volume: 1.0-1.2 c.c/stroke</li> <li>3. Grease: Suitable for 400g volume grease pack or bulk loading</li> </ol>