

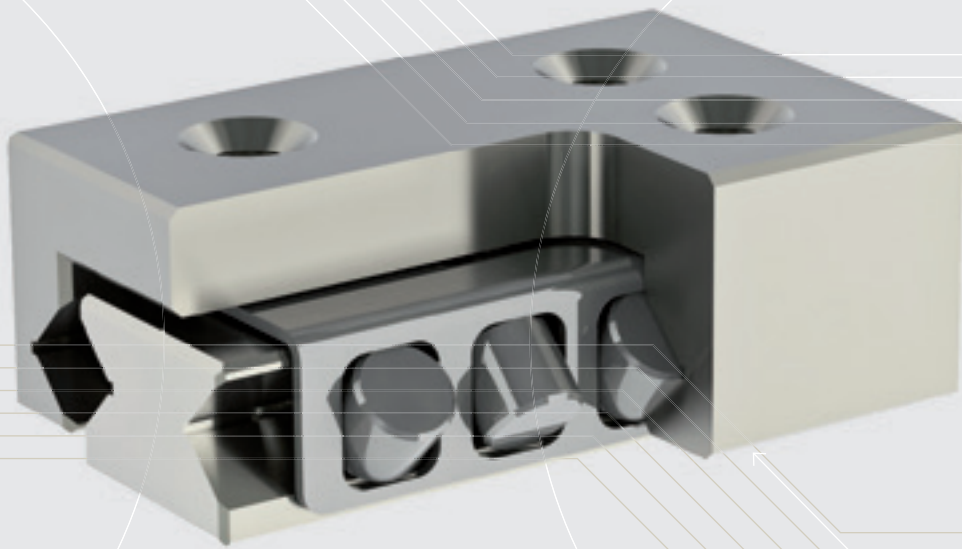
50
YEARS

of success

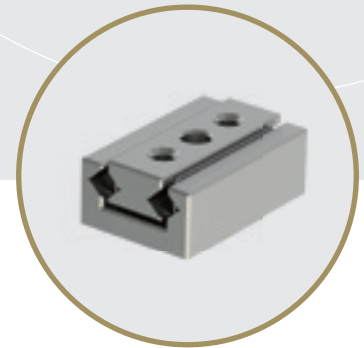
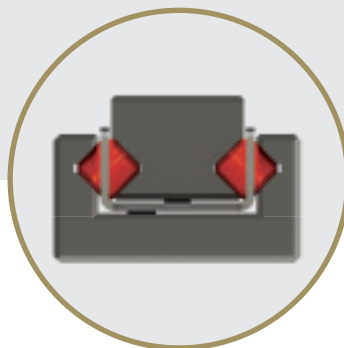
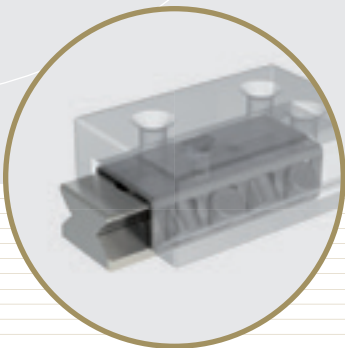


PM-BEARINGS

DISCOVER PRECISION



REAL SIZE



MICRO SLIDES PMMR

COMPACT, SMOOTH AND PRECISE MOTION

INTRODUCING THE NEW PMMR

HIGHER SPEEDS, EXCELLENT RIGIDITY AND DURABILITY AS WELL AS LIMITED SPACES, THESE ARE THE CHALLENGES OF TODAY'S INDUSTRY. WITH THE NEW PMMR WE REALISE PREVIOUSLY UNKNOWN DYNAMICS AND PRECISION IN A SMALLEST PACKAGE AS POSSIBLE.

Applications

PMMR micro slides are suitable for:

- short stroke lengths
- low-friction motion
- oscillating motion
- precise and accurate motion

PMMR micro slides are used, due to their corrosion-resistant design, in the following application areas:

- medical equipment
- high speed electronic component manufacture
- laboratory equipment
- optical devices
- in "cleanroom" environments
- micro-automation

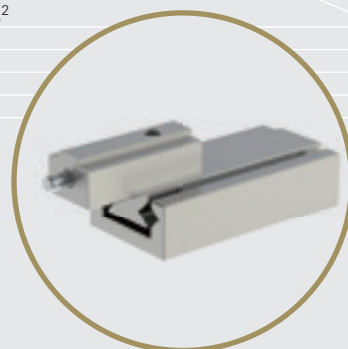
Specifications

- table top, base and cylindrical rollers made of corrosion-resistant steel 1.4034, hardened 54 ± 2 HRc.
- cage made of corrosion-resistant steel 304
- including anti cage creep mechanism
- maximum speed 2 m/s
- maximum acceleration 200 m/s²

Custom design

To customer requirement we are able to:

- provide microslides with defined push force
- add extra holes
- add special lubrication
- make customer specific design



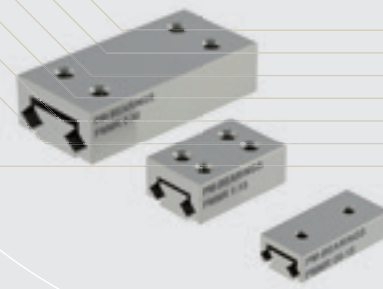
PMMR 05 (width = 7mm | height = 4mm)

	05-10	05-15	05-20	05-25
Travel	5	10	15	20
Cdyn. (N)	117	156	195	234
MI (Ncm)	65	98	131	163
Mass (grams)	3	4	5	6

We have experience in cleanroom, ultra-high vacuum and hybride technology.

PMMR 1 (width = 10mm | height = 6mm)

	1-15	1-20	1-25	1-30	1-35	1-40	1-45	1-50
Travel	5	10	15	20	25	30	35	40
Cdyn. (N)	258	322	387	451	516	580	645	709
MI (Ncm)	216	288	361	433	505	577	650	722
Mass (grams)	6	8	11	13	15	18	20	22



PMMR 2 (width = 15mm | height = 8mm)

	2-30	2-40	2-50	2-60	2-70	2-80
Travel	20	30	40	50	60	70
Cdyn. (N)	510	612	714	816	918	1020
MI (Ncm)	620	775	930	1085	1240	1395
Mass (grams)	30	38	47	56	66	75

ORDER EXAMPLE

10 pieces PMMR 2-50 (travel 40mm)

Cdyn: Basic dynamic load rating • **MI:** Longitudinal dynamic moment
Based on DIN 636-3

For 2D-and 3D-drawings:
www.pmbearings.com or e-mail to info@pmbearings.nl

PM-BEARINGS B.V.

Tel: +31 523 61 22 58
info@pmbearings.nl

PM-BEARINGS GMBH

Tel: +49 (0)6226 938 89 69
info@pmbearings.com

PM-GUIDAGE LINÉAIRE

Tel: +33 09 50 32 85 37
info@pmsguidage.com