

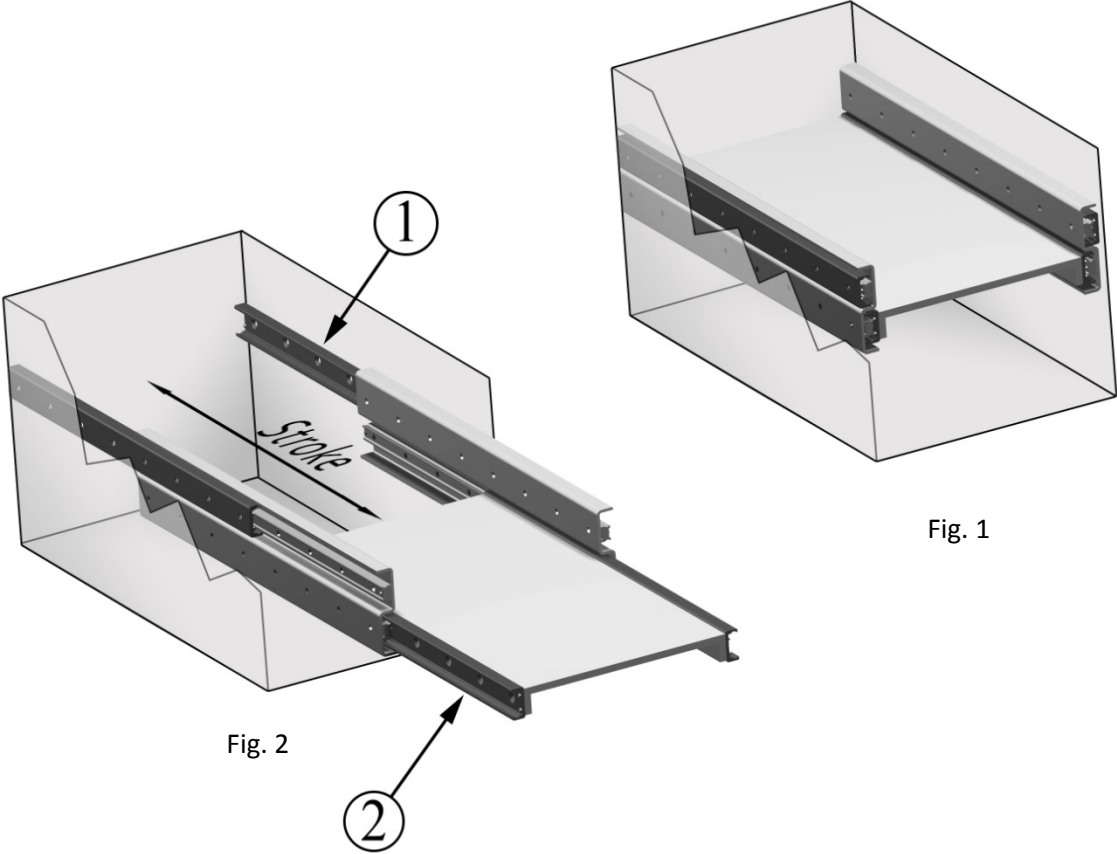
# TLS Installation Instructions

The TLS has internal stops, which solely function to position the ball-cage and the intermediate element. These stops should not be used as end-stops for the payload. To stop the payload, strong external end-stops must be installed.

Figure 1 is the retracted position. Figure 2 is the extended position.

- 1. Upper Rail always fixed to cabinet.
- 2. Lower rail always fixed to drawer.

Fasteners	
TLQ28 . . . . .	M5 Flat Head
TLQ43 . . . . .	M8 Flat Head



The Precision Alliance  
4215 Pleasant Rd  
Fort Mill, SC 29715  
(803) 396-5544  
(803) 396-7810