

# TSQ Installation Instructions

The TSQ has internal stops, which solely function to position the ball-cage and the intermediate element. These stops should not be used as end-stops for the payload. To stop the payload, strong external end-stops must be installed.

Figure 1 is the retracted position. Figure 2 is the extended position.

Fasteners	
TSQ28 . . . . .	M5
TSQ43 . . . . .	M8

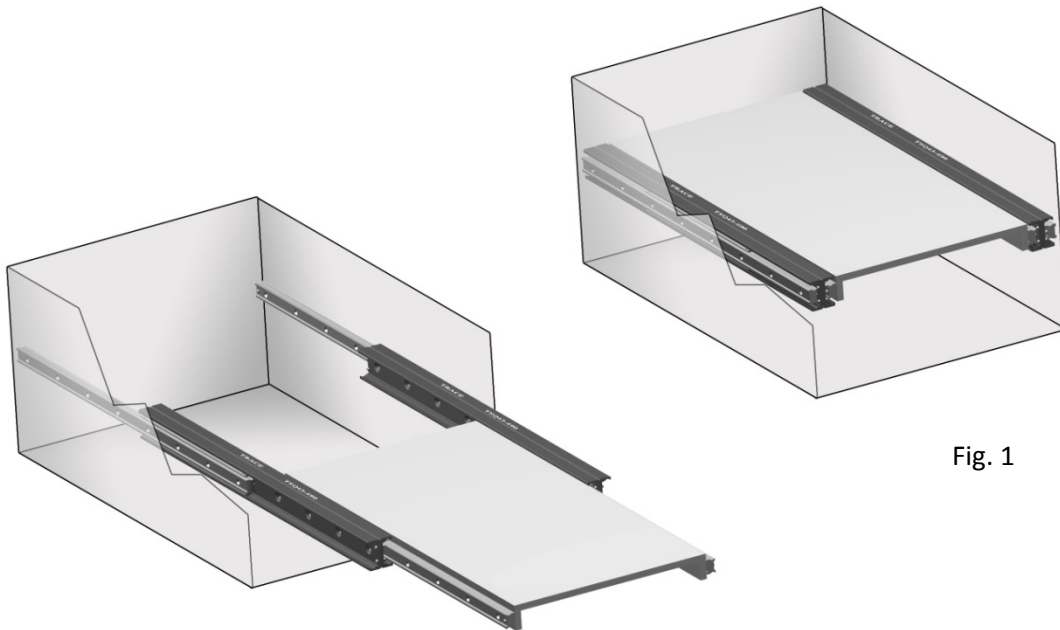


Fig. 1

Fig. 2



The Precision Alliance  
4215 Pleasant Rd  
Fort Mill, SC 29715  
(803) 396-5544  
(803) 396-7810